



**Quick Info**

CRI ≥ 80 /90

2700K, 3000K, 4000K

Up to 85 lm/W

Non-Dimmable/ Dali-Dimmable

SDCM<3

Clear Glass

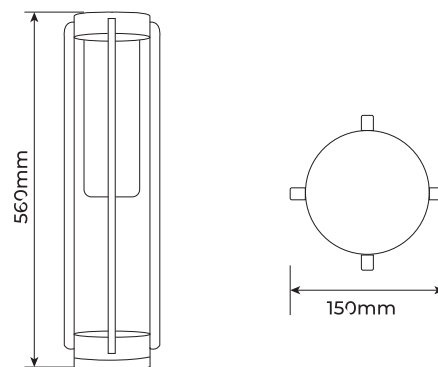
L70 @50,000h

Aluminium Die-Cast

**Types**

Surface

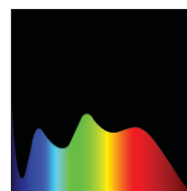
**Single Line Diagram**



**ZENITH BOLLARD**

Zenith Bollard fixture has :

- Luminaire housing of Aluminium
- IP66, High Ingress Protection against dust & moisture
- Flicker free operation for eye protection
- Energy-efficient LED with high colour rendering
- The built quality ensures long and maintenance free service life
- Optimum for every outdoor space including society parks, streets, educational institutes, and pathways
- Garden & pathway luminaires create pleasant light distribution with a high degree of visual comfort
- LED bollard, designed to provide radially symmetric light emission of 360



CRI ≥ 80/90

## ZENITH BOLLARD



Product Order Code	System Power	Dimensions
1840	10W	Dia=150mm H=560mm

### Order Options

#### CCT (Colour Temperature)

- 2700K
- 3000K
- 4000K

#### CRI

- >80
- >90

#### Beam Angle

360°

#### Control

Non-Dimmable



Dali-Dimmable



#### Mounting Type

Surface

#### Material Colour

Grey

